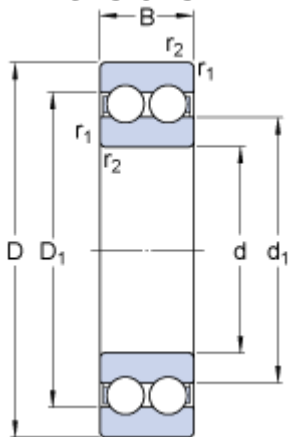


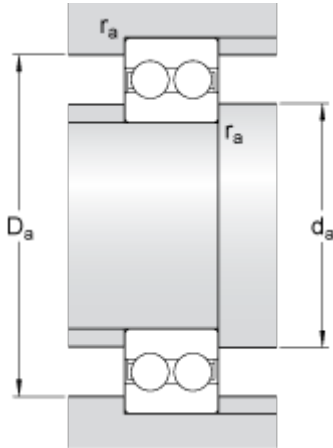
4207 ATN9

Dimensions



| | | | |
|-----------|------|------|----|
| d | | 35 | mm |
| D | | 72 | mm |
| B | | 23 | mm |
| d_1 | ≈ | 47.5 | mm |
| D_1 | ≈ | 59.5 | mm |
| $r_{1,2}$ | min. | 1.1 | mm |

Abutment dimensions



| | | | |
|-------|------|----|----|
| d_a | min. | 42 | mm |
| D_a | max. | 65 | mm |
| r_a | max. | 1 | mm |

Calculation data

| | | | |
|---------------------------|-------|-------|-------|
| Basic dynamic load rating | C | 35.1 | kN |
| Basic static load rating | C | 28.5 | kN |
| Fatigue load limit | P_u | 1.2 | kN |
| Reference speed | | 15000 | r/min |
| Limiting speed | | 8000 | r/min |
| Calculation factor | k_r | 0.05 | |
| Calculation factor | f | 14.3 | |

Mass

| | | | |
|--------------|--|-----|----|
| Mass bearing | | 0.4 | kg |
|--------------|--|-----|----|