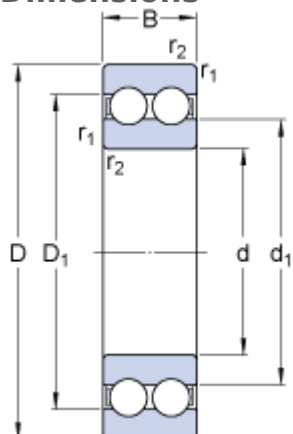


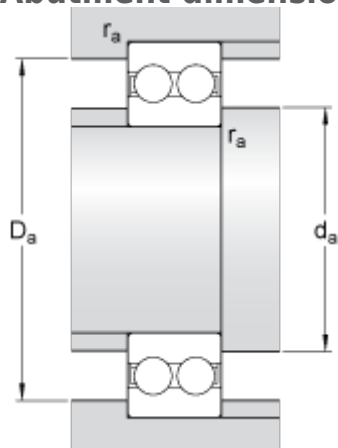
4205 ATN9

Dimensions



d		25	mm
D		52	mm
B		18	mm
d_1	\approx	34.2	mm
D_1	\approx	42.8	mm
$r_{1,2}$	min.	1	mm

Abutment dimensions



d_a	min.	30.6	mm
D_a	max.	46.4	mm
r_a	max.	1	mm

Calculation data

Basic dynamic load rating	C	19	kN
Basic static load rating	C	14.6	kN
Fatigue load limit	P_u	0.62	kN
Reference speed		20000	r/min
Limiting speed		11000	r/min
Calculation factor	k_r	0.05	
Calculation factor	f	14.3	

Mass

Mass bearing		0.17	kg
--------------	--	------	----