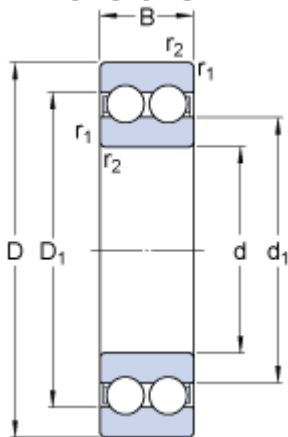


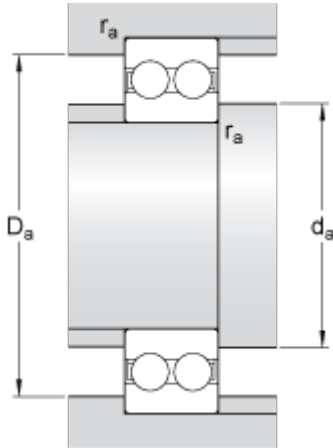
4204 ATN9

Dimensions



d		20	mm
D		47	mm
B		18	mm
d_1	\approx	29.7	mm
D_1	\approx	38.3	mm
$r_{1,2}$	min.	1	mm

Abutment dimensions



d_a	min.	25.6	mm
D_a	max.	41.4	mm
r_a	max.	1	mm

Calculation data

Basic dynamic load rating	C	17.8	kN
Basic static load rating	C	12.5	kN
Fatigue load limit	P_u	0.53	kN
Reference speed		24000	r/min
Limiting speed		13000	r/min
Calculation factor	k_r	0.05	
Calculation factor	f	13.7	

Mass

Mass bearing		0.14	kg
--------------	--	------	----