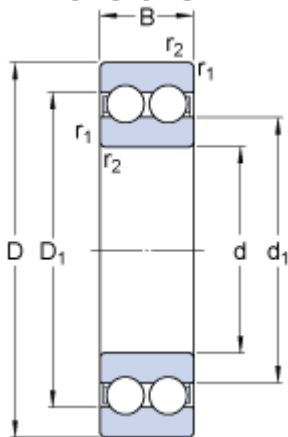


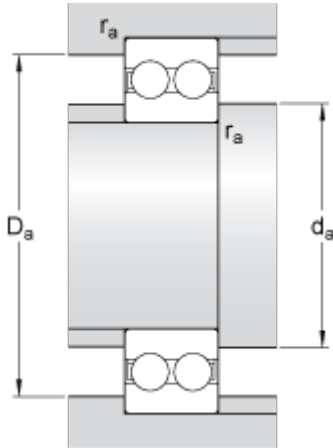
4203 ATN9

Dimensions



d		17	mm
D		40	mm
B		16	mm
d_1	≈	24.3	mm
D_1	≈	32.7	mm
$r_{1,2}$	min.	0.6	mm

Abutment dimensions



d_a	min.	21.2	mm
D_a	max.	35.8	mm
r_a	max.	0.6	mm

Calculation data

Basic dynamic load rating	C	14.8	kN
Basic static load rating	C	9.5	kN
Fatigue load limit	P_u	0.405	kN
Reference speed		28000	r/min
Limiting speed		15000	r/min
Calculation factor	k_r	0.05	
Calculation factor	f	13.1	

Mass

Mass bearing		0.09	kg
--------------	--	------	----