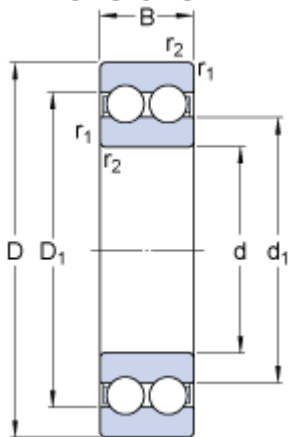


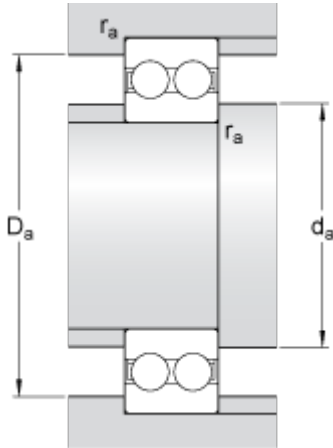
4200 ATN9

Dimensions



d	10	mm
D	30	mm
B	14	mm
d ₁	≈ 16.7	mm
D ₁	≈ 23.3	mm
r _{1,2}	min. 0.6	mm

Abutment dimensions



d _a	min.	14.2	mm
D _a	max.	25.8	mm
r _a	max.	0.6	mm

Calculation data

Basic dynamic load rating	C	9.23	kN
Basic static load rating	C	5.2	kN
Fatigue load limit	P _u	0.224	kN
Reference speed		40000	r/min
Limiting speed		22000	r/min
Calculation factor	k _r	0.05	
Calculation factor	f	12.1	

Mass

Mass bearing		0.049	kg
--------------	--	-------	----