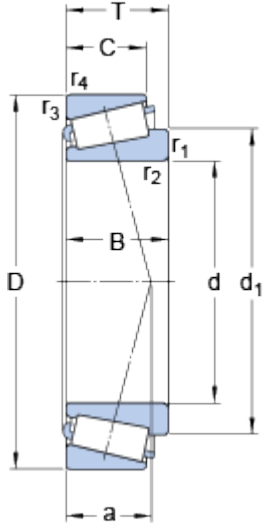


33024

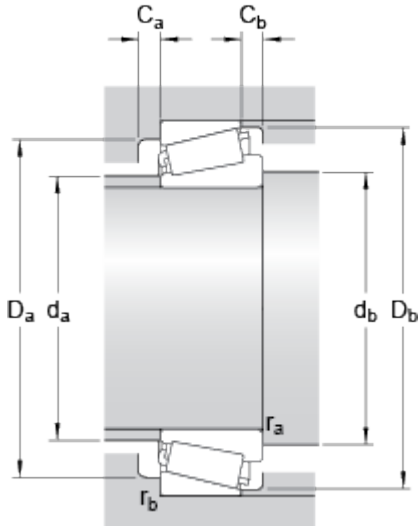
SKF Explorer

Dimensions



d	120	mm
D	180	mm
T	48	mm
$d_1 \approx$	149.38	mm
B	48	mm
C	38	mm
$r_{1,2}$	min. 2.5	mm
$r_{3,4}$	min. 2	mm
a	36.338	mm

Abutment dimensions



d_a	max.	132	mm
d_b	min.	133	mm
D_a	min.	160	mm
D_a	max.	169	mm
D_b	min.	171	mm
C_a	min.	6	mm
C_b	min.	10	mm
r_a	max.	2.5	mm
r_b	max.	2	mm

Calculation data

Basic dynamic load rating	C	356	kN
Basic static load rating	C	540	kN
Fatigue load limit	P_u	56	kN
Reference speed		2800	r/min
Limiting speed		3400	r/min
Calculation factor	e	0.3	
Calculation factor	Y	2	
Calculation factor	Y	1.1	

Mass

Mass bearing	4.18	kg
--------------	------	----

