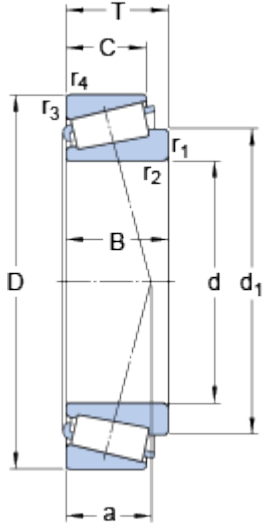


33022

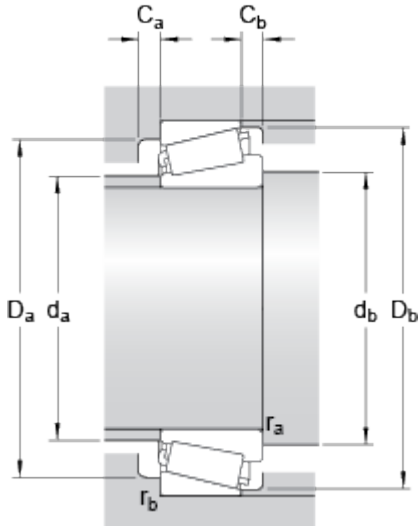
SKF Explorer

Dimensions



d	110	mm
D	170	mm
T	47	mm
d ₁	≈ 139.3	mm
B	47	mm
C	37	mm
r _{1,2}	min. 2.5	mm
r _{3,4}	min. 2	mm
a	33.585	mm

Abutment dimensions



d _a	max.	123	mm
d _b	min.	122.5	mm
D _a	min.	152	mm
D _a	max.	159.5	mm
D _b	min.	161	mm
C _a	min.	7	mm
C _b	min.	10	mm
r _a	max.	2.5	mm
r _b	max.	2	mm

Calculation data

Basic dynamic load rating	C	343	kN
Basic static load rating	C	500	kN
Fatigue load limit	P _u	53	kN
Reference speed		3000	r/min
Limiting speed		3600	r/min
Calculation factor	e	0.28	
Calculation factor	Y	2.1	
Calculation factor	Y	1.1	

Mass

Mass bearing	3.83	kg
--------------	------	----

