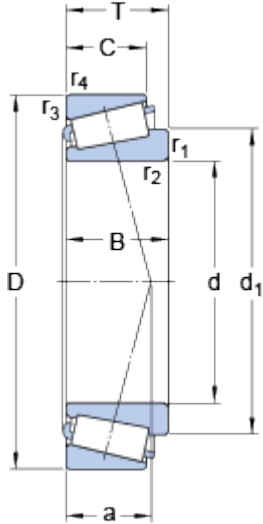


33014

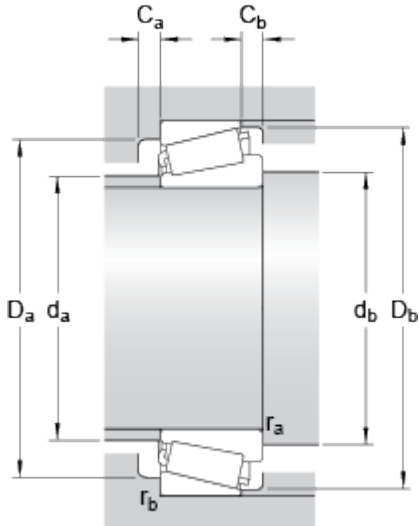
SKF Explorer

Dimensions



| | | |
|------------------|----------|----|
| d | 70 | mm |
| D | 110 | mm |
| T | 31 | mm |
| d ₁ | ≈ 88.95 | mm |
| B | 31 | mm |
| C | 25.5 | mm |
| r _{1,2} | min. 1.5 | mm |
| r _{3,4} | min. 1.5 | mm |
| a | 22.528 | mm |

Abutment dimensions



| | | | |
|----------------|------|-------|----|
| d _a | max. | 78 | mm |
| d _b | min. | 79.5 | mm |
| D _a | min. | 99 | mm |
| D _a | max. | 101.5 | mm |
| D _b | min. | 105 | mm |
| C _a | min. | 5 | mm |
| C _b | min. | 5.5 | mm |

Calculation data

| | | | |
|---------------------------|----------------|------|-------|
| Basic dynamic load rating | C | 159 | kN |
| Basic static load rating | C | 196 | kN |
| Fatigue load limit | P _u | 22.8 | kN |
| Reference speed | | 4800 | r/min |
| Limiting speed | | 5600 | r/min |
| Calculation factor | e | 0.28 | |
| Calculation factor | Y | 2.1 | |
| Calculation factor | Y | 1.1 | |

Mass

| | | | |
|--------------|--|------|----|
| Mass bearing | | 1.07 | kg |
|--------------|--|------|----|

