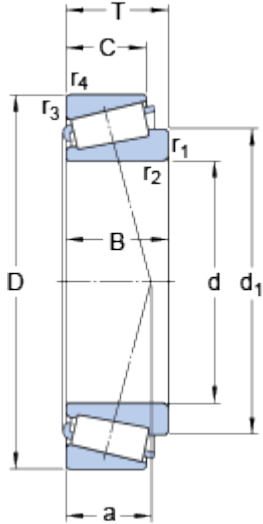


32926

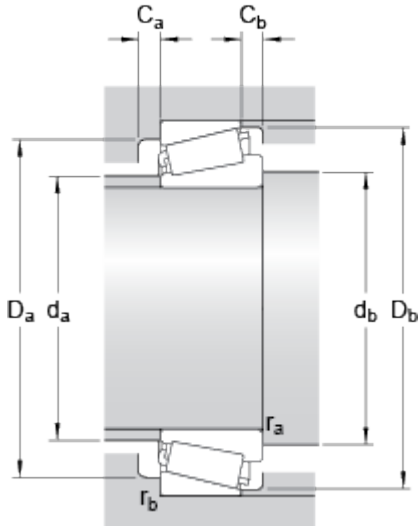
SKF Explorer

Dimensions



d	130	mm
D	180	mm
T	32	mm
d ₁	≈ 153.9	mm
B	32	mm
C	25	mm
r _{1,2}	min. 2	mm
r _{3,4}	min. 1.5	mm
a	31.254	mm

Abutment dimensions



d _a	max.	141	mm
d _b	min.	142	mm
D _a	min.	167	mm
D _a	max.	170	mm
D _b	min.	173	mm
C _a	min.	6	mm
C _b	min.	7	mm
r _a	max.	2	mm
r _b	max.	1.5	mm

Calculation data

Basic dynamic load rating	C	245	kN
Basic static load rating	C	365	kN
Fatigue load limit	P _u	38	kN
Reference speed		2600	r/min
Limiting speed		3200	r/min
Calculation factor	e	0.33	
Calculation factor	Y	1.8	
Calculation factor	Y	1	

Mass

Mass bearing	2.39	kg
--------------	------	----

