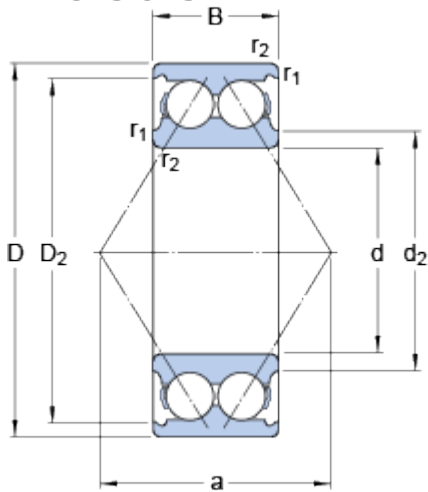


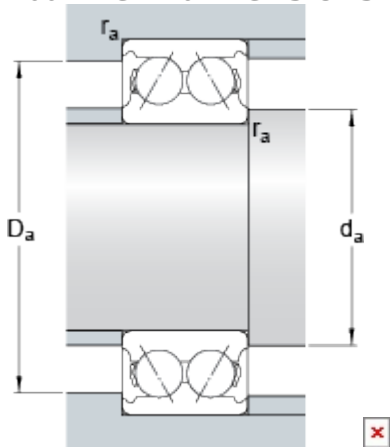
3203 ATN9

Dimensions



d		17	mm
D		40	mm
B		17.5	mm
d_2	\approx	23.3	mm
D_2	\approx	34.95	mm
$r_{1,2}$	min.	0.6	mm
a		23	mm

Abutment dimensions



d_a	min.	21.4	mm
d_a	max.	23	mm
D_a	max.	35.6	mm
r_a	max.	0.6	mm

Calculation data

Basic dynamic load rating	C	14.3	kN
Basic static load rating	C	8.8	kN
Fatigue load limit	P_u	0.365	kN
Reference speed		15000	r/min
Limiting speed		16000	r/min
Calculation factor	k_r	0.06	
Calculation factor	e	0.8	
Calculation factor	X	0.63	
Calculation factor	Y	0.66	
Calculation factor	Y_1	0.78	
Calculation factor	Y_2	1.24	

Mass

Mass bearing		0.096	kg
--------------	--	-------	----

