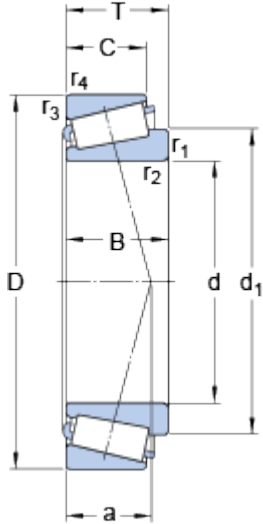


32030 X

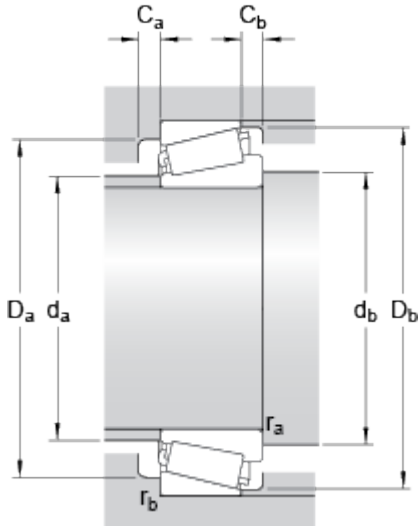
SKF Explorer

Dimensions



d	150	mm
D	225	mm
T	48	mm
d ₁	≈ 187.53	mm
B	48	mm
C	36	mm
r _{1,2}	min. 3	mm
r _{3,4}	min. 2.5	mm
a	48.775	mm

Abutment dimensions



d _a	max.	165	mm
d _b	min.	164.5	mm
D _a	min.	200	mm
D _a	max.	212.5	mm
D _b	min.	216	mm
C _a	min.	8	mm
C _b	min.	12	mm

Calculation data

Basic dynamic load rating	C	456	kN
Basic static load rating	C	655	kN
Fatigue load limit	P _u	65.5	kN
Reference speed		2200	r/min
Limiting speed		2600	r/min
Calculation factor	e	0.46	
Calculation factor	Y	1.3	
Calculation factor	Y	0.7	

Mass

Mass bearing	6.4	kg
--------------	-----	----

