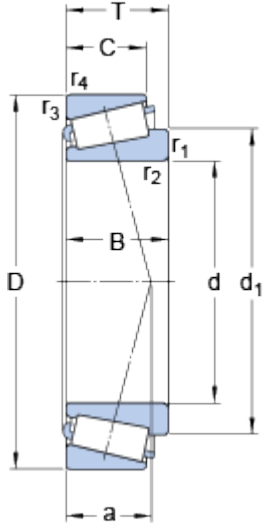


# 32026 X

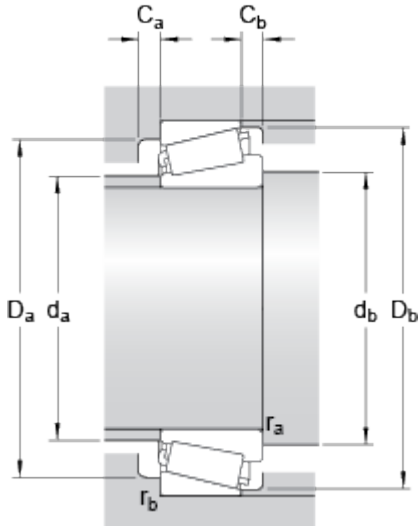
SKF Explorer

## Dimensions



d	130	mm
D	200	mm
T	45	mm
d <sub>1</sub>	≈ 165.4	mm
B	45	mm
C	34	mm
r <sub>1,2</sub>	min. 2.5	mm
r <sub>3,4</sub>	min. 2	mm
a	42.855	mm

## Abutment dimensions



d <sub>a</sub>	max.	144	mm
d <sub>b</sub>	min.	143	mm
D <sub>a</sub>	min.	178	mm
D <sub>a</sub>	max.	189	mm
D <sub>b</sub>	min.	192	mm
C <sub>a</sub>	min.	7	mm
C <sub>b</sub>	min.	11	mm

## Calculation data

Basic dynamic load rating	C	388	kN
Basic static load rating	C	540	kN
Fatigue load limit	P <sub>u</sub>	55	kN
Reference speed		2400	r/min
Limiting speed		3000	r/min
Calculation factor	e	0.43	
Calculation factor	Y	1.4	
Calculation factor	Y	0.8	

## Mass

Mass bearing	4.94	kg
--------------	------	----

