

32024 X

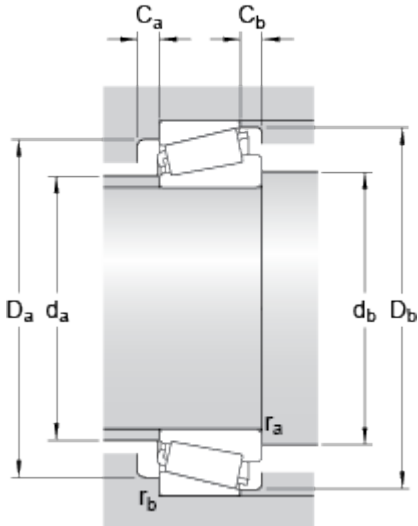
SKF Explorer

Dimensions



d	120	mm
D	180	mm
T	38	mm
d ₁	≈ 150.67	mm
B	38	mm
C	29	mm
r _{1,2}	min. 2.5	mm
r _{3,4}	min. 2	mm
a	38.787	mm

Abutment dimensions



d _a	max.	132	mm
d _b	min.	133	mm
D _a	min.	161	mm
D _a	max.	169	mm
D _b	min.	173	mm
C _a	min.	7	mm
C _b	min.	9	mm

Calculation data

Basic dynamic load rating	C	299	kN
Basic static load rating	C	415	kN
Fatigue load limit	P _u	42.5	kN
Reference speed		2800	r/min
Limiting speed		3400	r/min
Calculation factor	e	0.46	
Calculation factor	Y	1.3	
Calculation factor	Y	0.7	

Mass

Mass bearing		3.29	kg
--------------	--	------	----

