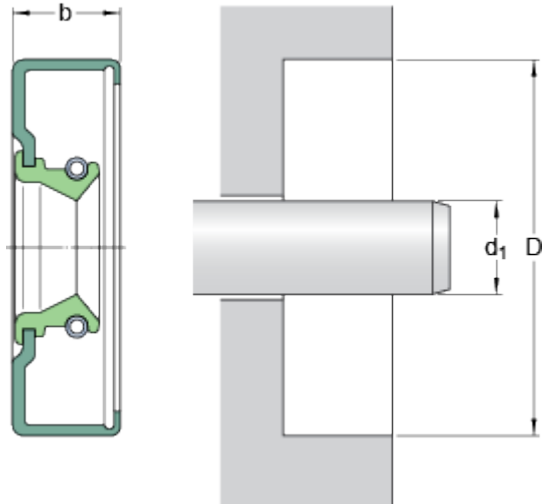


# 24x38x10 CRS1 R

## Dimensions



$d_1$	24	mm
D	38	mm
b	10	mm

## Application and operating conditions

Pressure differential	max.	0.05	MPa
Operating temperature	min.	-40	°C
Operating temperature	max.	100	°C
Operating temperature, short period	max.	120	°C
Rotational speed	max.	7958	r/min
Shaft surface speed	max.	10	m/s