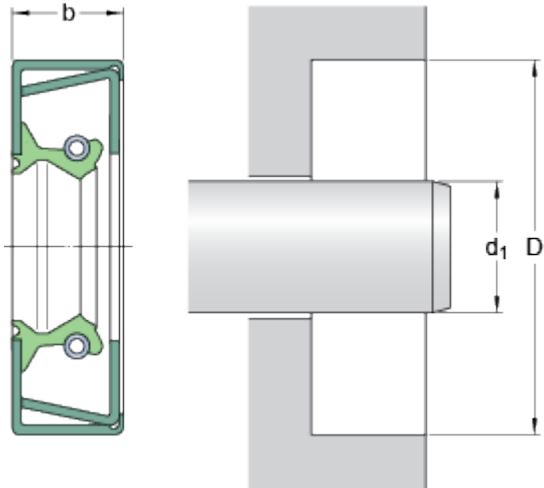


# 23678

## Dimensions



$d_1$	60.325	mm
D	82.58	mm
b	11	mm

## Application and operating conditions

Pressure differential	max.	0.07	MPa
Operating temperature	min.	-40	°C
Operating temperature	max.	200	°C
Operating temperature, short period	max.	220	°C
Rotational speed	max.	5699	r/min
Shaft surface speed	max.	18	m/s