

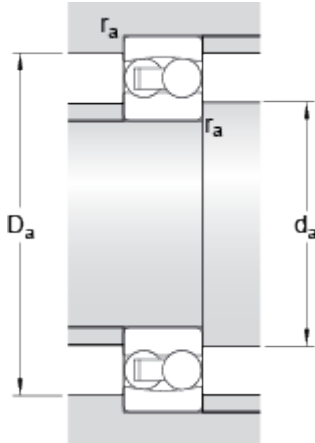
2313

Dimensions



d		65	mm
D		140	mm
B		48	mm
d ₁	≈	86	mm
D ₁	≈	119.1	mm
r _{1,2}	min.	2.1	mm

Abutment dimensions



d _a	min.	77	mm
D _a	max.	128	mm
r _a	max.	2	mm

Calculation data

Basic dynamic load rating	C	95.6	kN
Basic static load rating	C	32.5	kN
Fatigue load limit	P _u	1.66	kN
Reference speed		9000	r/min
Limiting speed		6300	r/min
Permissible angular misalignment	α	3	°
Calculation factor	k _r	0.05	
Calculation factor	e	0.37	
Calculation factor	Y	1.8	
Calculation factor	Y ₁	1.7	
Calculation factor	Y ₂	2.6	

Mass

Mass bearing		3.25	kg
--------------	--	------	----

