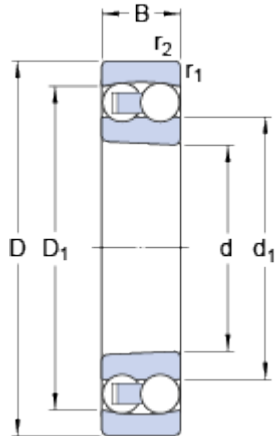


2312 K

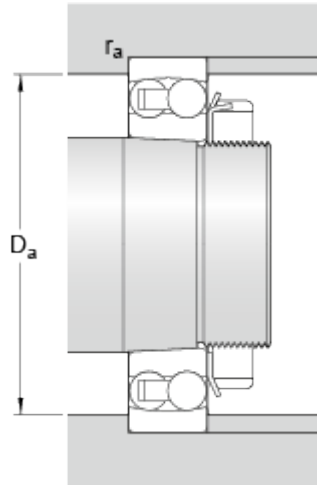
Dimensions



d	60	mm
D	130	mm
B	46	mm
d ₁	≈ 77.1	mm
D ₁	≈ 109.2	mm
r _{1,2}	min. 2.1	mm

Tapered bore, taper 1:12

Abutment dimensions



D _a	max.	118	mm
r _a	max.	2	mm

Calculation data

Basic dynamic load rating	C	87.1	kN
Basic static load rating	C	28.5	kN
Fatigue load limit	P _u	1.46	kN
Reference speed		9500	r/min
Limiting speed		7000	r/min
Permissible angular misalignment	α	3	°
Calculation factor	k _r	0.05	
Calculation factor	e	0.33	
Calculation factor	Y	2	
Calculation factor	Y ₁	1.9	
Calculation factor	Y ₂	3	

Mass

Mass bearing	2.5	kg
--------------	-----	----

