

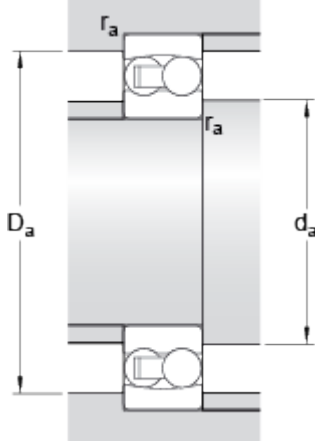
2312

Dimensions



d		60	mm
D		130	mm
B		46	mm
d ₁	≈	77.1	mm
D ₁	≈	109.2	mm
r _{1,2}	min.	2.1	mm

Abutment dimensions



d _a	min.	72	mm
D _a	max.	118	mm
r _a	max.	2	mm

Calculation data

Basic dynamic load rating	C	87.1	kN
Basic static load rating	C	28.5	kN
Fatigue load limit	P _u	1.46	kN
Reference speed		9500	r/min
Limiting speed		7000	r/min
Permissible angular misalignment	α	3	°
Calculation factor	k _r	0.05	
Calculation factor	e	0.33	
Calculation factor	Y	2	
Calculation factor	Y ₁	1.9	
Calculation factor	Y ₂	3	

Mass

Mass bearing		2.6	kg
--------------	--	-----	----

