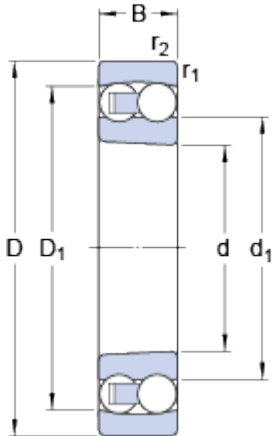


2311 K

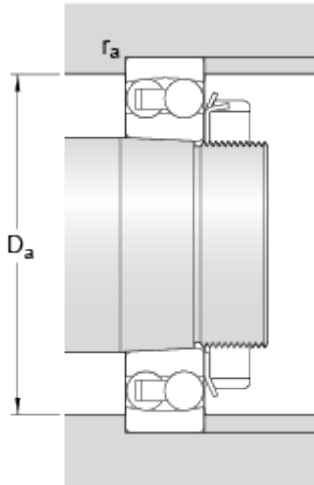
Dimensions



d		55	mm
D		120	mm
B		43	mm
d ₁	≈	72	mm
D ₁	≈	101	mm
r _{1,2}	min.	2	mm

Tapered bore, taper 1:12

Abutment dimensions



D _a	max.	109	mm
r _a	max.	2	mm

Calculation data

Basic dynamic load rating	C	76.1	kN
Basic static load rating	C	24	kN
Fatigue load limit	P _u	1.25	kN
Reference speed		11000	r/min
Limiting speed		7500	r/min
Permissible angular misalignment	α	3	°
Calculation factor	k _r	0.05	
Calculation factor	e	0.4	
Calculation factor	Y	1.6	
Calculation factor	Y ₁	1.6	
Calculation factor	Y ₂	2.4	

Mass

Mass bearing		2	kg
--------------	--	---	----

