

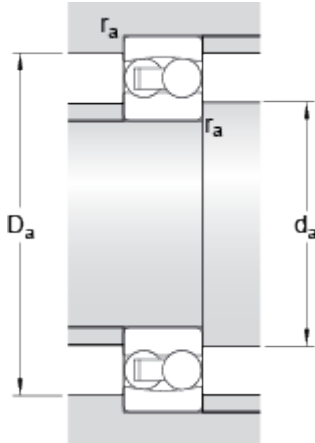
2311

Dimensions



d		55	mm
D		120	mm
B		43	mm
d_1	≈	72	mm
D_1	≈	101	mm
$r_{1,2}$	min.	2	mm

Abutment dimensions



d_a	min.	66	mm
D_a	max.	109	mm
r_a	max.	2	mm

Calculation data

Basic dynamic load rating	C	76.1	kN
Basic static load rating	C	24	kN
Fatigue load limit	P_u	1.25	kN
Reference speed		11000	r/min
Limiting speed		7500	r/min
Permissible angular misalignment	α	3	°
Calculation factor	k_r	0.05	
Calculation factor	e	0.4	
Calculation factor	Y	1.6	
Calculation factor	Y_1	1.6	
Calculation factor	Y_2	2.4	

Mass

Mass bearing	2.1	kg
--------------	-----	----

