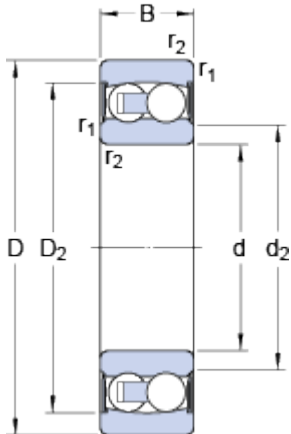


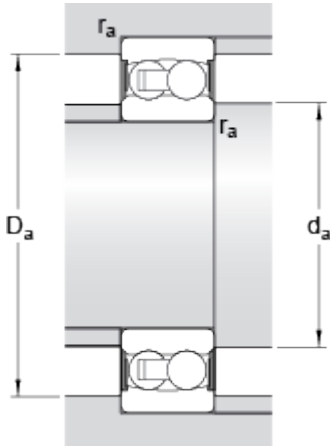
2310 E-2RS1TN9

Dimensions



d		50	mm
D		110	mm
B		40	mm
d ₂	≈	62.9	mm
D ₂	≈	95.2	mm
r _{1,2}	min.	2	mm

Abutment dimensions



d _a	min.	61	mm
d _a	max.	62.5	mm
D _a	max.	99	mm
r _a	max.	2	mm

Calculation data

Basic dynamic load rating	C	43.6	kN
Basic static load rating	C	14	kN
Fatigue load limit	P _u	0.72	kN
Limiting speed		4000	r/min
Permissible angular misalignment	α	1.5	°
Calculation factor	k _r	0.05	
Calculation factor	e	0.24	
Calculation factor	Y	2.8	
Calculation factor	Y ₁	2.6	
Calculation factor	Y ₂	4.1	

Mass

Mass bearing		1.65	kg
--------------	--	------	----