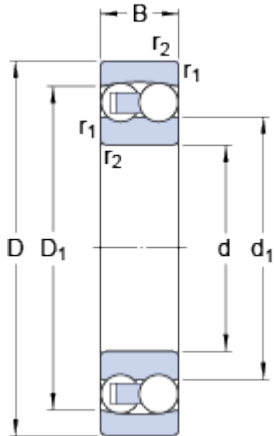


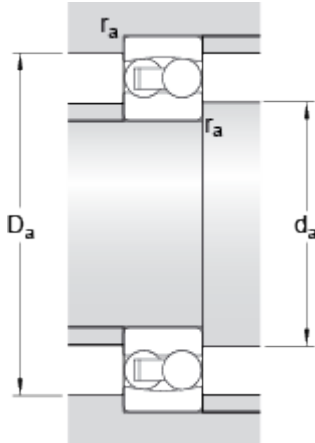
# 2310

## Dimensions



d		50	mm
D		110	mm
B		40	mm
d <sub>1</sub>	≈	66	mm
D <sub>1</sub>	≈	92.5	mm
r <sub>1,2</sub>	min.	2	mm

## Abutment dimensions



d <sub>a</sub>	min.	61	mm
D <sub>a</sub>	max.	99	mm
r <sub>a</sub>	max.	2	mm

## Calculation data

Basic dynamic load rating	C	63.7	kN
Basic static load rating	C	20	kN
Fatigue load limit	P <sub>u</sub>	1.04	kN
Reference speed		14000	r/min
Limiting speed		9500	r/min
Permissible angular misalignment	α	3	°
Calculation factor	k <sub>r</sub>	0.05	
Calculation factor	e	0.43	
Calculation factor	Y	1.6	
Calculation factor	Y <sub>1</sub>	1.5	
Calculation factor	Y <sub>2</sub>	2.3	

## Mass

Mass bearing		1.65	kg
--------------	--	------	----

