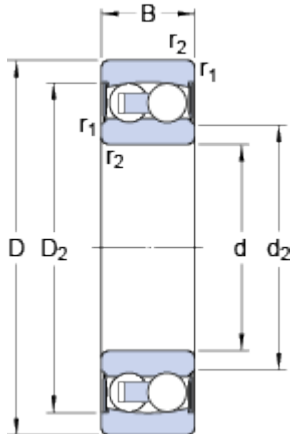


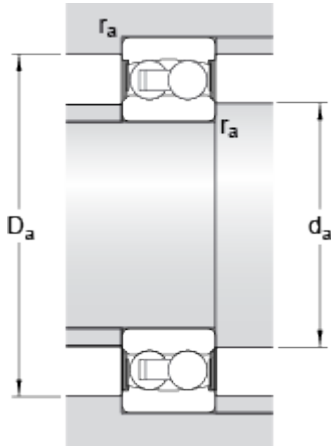
2309 E-2RS1TN9

Dimensions



d		45	mm
D		100	mm
B		36	mm
d ₂	≈	60.9	mm
D ₂	≈	90	mm
r _{1,2}	min.	1.5	mm

Abutment dimensions



d _a	min.	54	mm
d _a	max.	60.5	mm
D _a	max.	91	mm
r _a	max.	1.5	mm

Calculation data

Basic dynamic load rating	C	39	kN
Basic static load rating	C	13.4	kN
Fatigue load limit	P _u	0.7	kN
Limiting speed		4500	r/min
Permissible angular misalignment	α	1.5	°
Calculation factor	k _r	0.05	
Calculation factor	e	0.23	
Calculation factor	Y	2.8	
Calculation factor	Y ₁	2.7	
Calculation factor	Y ₂	4.2	

Mass

Mass bearing		1.3	kg
--------------	--	-----	----