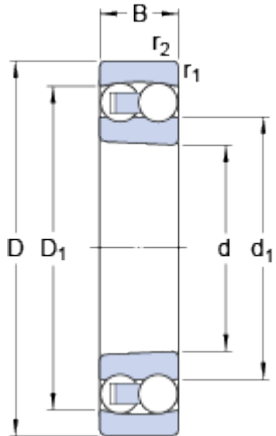


2309 EKTN9

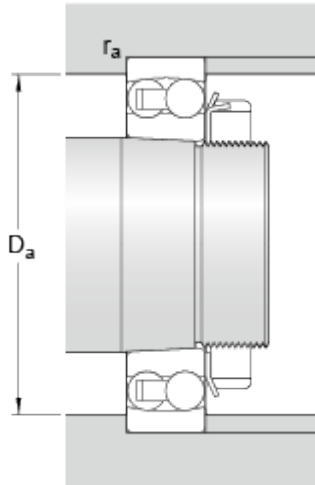
Dimensions



d		45	mm
D		100	mm
B		36	mm
d ₁	≈	60.16	mm
D ₁	≈	86	mm
r _{1,2}	min.	1.5	mm

Tapered bore, taper 1:12

Abutment dimensions



D _a	max.	91	mm
r _a	max.	1.5	mm

Calculation data

Basic dynamic load rating	C	63.7	kN
Basic static load rating	C	19.3	kN
Fatigue load limit	P _u	1	kN
Reference speed		13000	r/min
Limiting speed		9000	r/min
Permissible angular misalignment	α	3	°
Calculation factor	k _r	0.05	
Calculation factor	e	0.33	
Calculation factor	Y	2	
Calculation factor	Y ₁	1.9	
Calculation factor	Y ₂	3	

Mass

Mass bearing		1.15	kg
--------------	--	------	----

