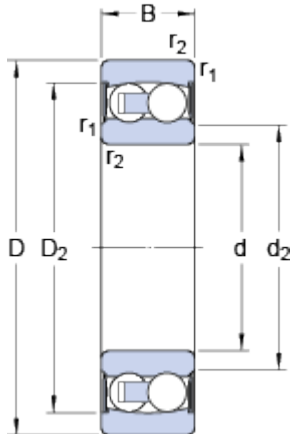


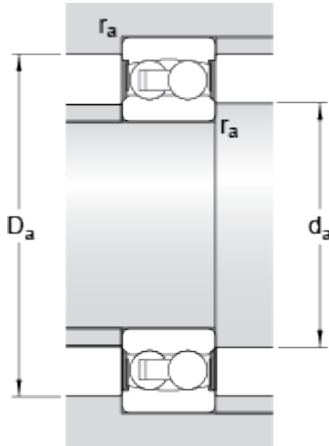
2308 E-2RS1TN9

Dimensions



d		40	mm
D		90	mm
B		33	mm
d ₂	≈	55.4	mm
D ₂	≈	81.8	mm
r _{1,2}	min.	1.5	mm

Abutment dimensions



d _a	min.	49	mm
d _a	max.	55	mm
D _a	max.	81	mm
r _a	max.	1.5	mm

Calculation data

Basic dynamic load rating	C	33.8	kN
Basic static load rating	C	11.2	kN
Fatigue load limit	P _u	0.57	kN
Limiting speed		5000	r/min
Permissible angular misalignment	α	1.5	°
Calculation factor	k _r	0.05	
Calculation factor	e	0.23	
Calculation factor	Y	2.8	
Calculation factor	Y ₁	2.7	
Calculation factor	Y ₂	4.2	

Mass

Mass bearing	0.96	kg
--------------	------	----