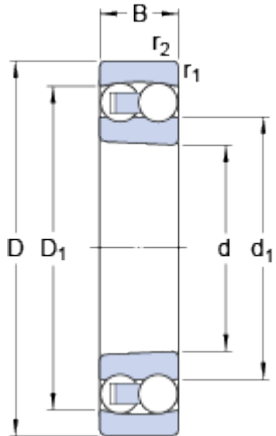


2308 EKTN9

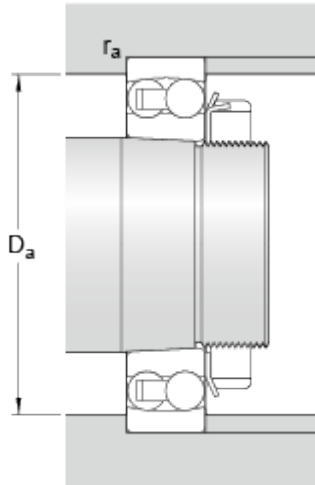
Dimensions



d		40	mm
D		90	mm
B		33	mm
d ₁	≈	53.75	mm
D ₁	≈	77.8	mm
r _{1,2}	min.	1.5	mm

Tapered bore, taper 1:12

Abutment dimensions



D _a	max.	81	mm
r _a	max.	1.5	mm

Calculation data

Basic dynamic load rating	C	54	kN
Basic static load rating	C	16	kN
Fatigue load limit	P _u	0.82	kN
Reference speed		14000	r/min
Limiting speed		10000	r/min
Permissible angular misalignment	α	3	°
Calculation factor	k _r	0.05	
Calculation factor	e	0.4	
Calculation factor	Y	1.6	
Calculation factor	Y ₁	1.6	
Calculation factor	Y ₂	2.4	

Mass

Mass bearing		0.9	kg
--------------	--	-----	----

