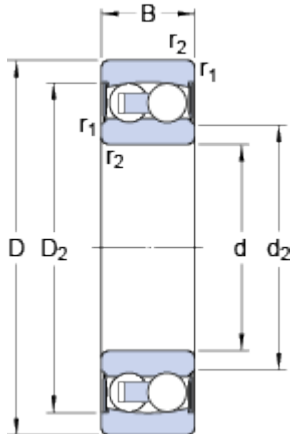


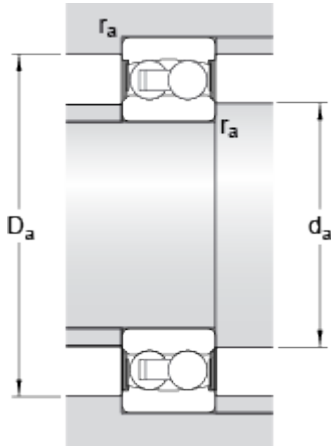
2307 E-2RS1TN9

Dimensions



d		35	mm
D		80	mm
B		31	mm
d ₂	≈	43.7	mm
D ₂	≈	69.2	mm
r _{1,2}	min.	1.5	mm

Abutment dimensions



d _a	min.	43.5	mm
d _a	max.	43.5	mm
D _a	max.	71	mm
r _a	max.	1.5	mm

Calculation data

Basic dynamic load rating	C	26.5	kN
Basic static load rating	C	8.5	kN
Fatigue load limit	P _u	0.43	kN
Limiting speed		5600	r/min
Permissible angular misalignment	α	1.5	°
Calculation factor	k _r	0.05	
Calculation factor	e	0.25	
Calculation factor	Y	2.5	
Calculation factor	Y ₁	2.5	
Calculation factor	Y ₂	3.9	

Mass

Mass bearing		0.7	kg
--------------	--	-----	----