

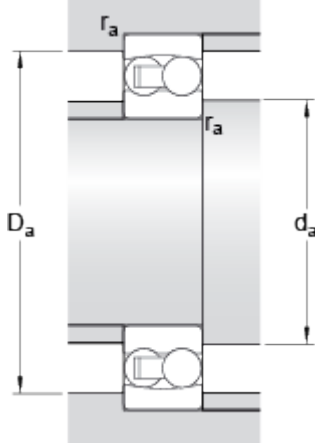
2307 ETN9

Dimensions



d		35	mm
D		80	mm
B		31	mm
d ₁	≈	46.7	mm
D ₁	≈	67	mm
r _{1,2}	min.	1.5	mm

Abutment dimensions



d _a	min.	44	mm
D _a	max.	71	mm
r _a	max.	1.5	mm

Calculation data

Basic dynamic load rating	C	39.7	kN
Basic static load rating	C	11.2	kN
Fatigue load limit	P _u	0.59	kN
Reference speed		16000	r/min
Limiting speed		12000	r/min
Permissible angular misalignment	α	3	°
Calculation factor	k _r	0.05	
Calculation factor	e	0.46	
Calculation factor	Y	1.4	
Calculation factor	Y ₁	1.35	
Calculation factor	Y ₂	2.1	

Mass

Mass bearing		0.68	kg
--------------	--	------	----

