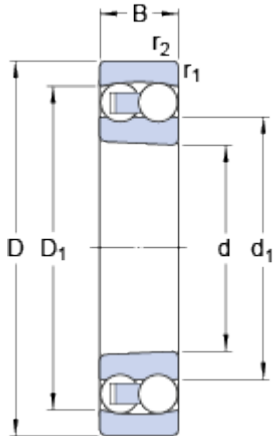


2306 K

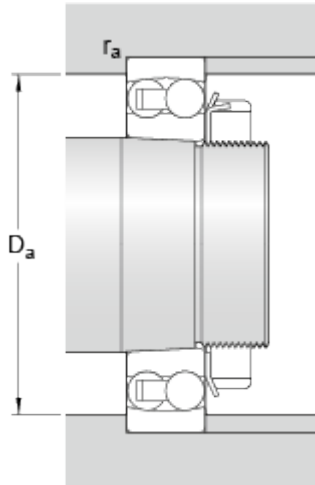
Dimensions



d	30	mm
D	72	mm
B	27	mm
d ₁	≈ 41.9	mm
D ₁	≈ 59.8	mm
r _{1,2}	min. 1.1	mm

Tapered bore, taper 1:12

Abutment dimensions



D _a	max.	65	mm
r _a	max.	1.1	mm

Calculation data

Basic dynamic load rating	C	31.2	kN
Basic static load rating	C	8.8	kN
Fatigue load limit	P _u	0.45	kN
Reference speed		18000	r/min
Limiting speed		13000	r/min
Permissible angular misalignment	α	3	°
Calculation factor	k _r	0.05	
Calculation factor	e	0.44	
Calculation factor	Y	1.4	
Calculation factor	Y ₁	1.4	
Calculation factor	Y ₂	2.2	

Mass

Mass bearing	0.5	kg
--------------	-----	----

