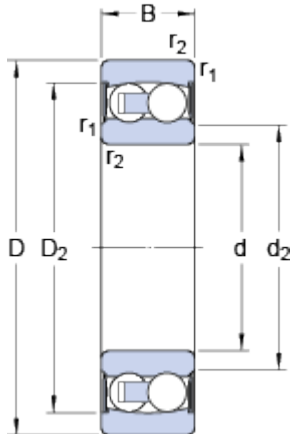


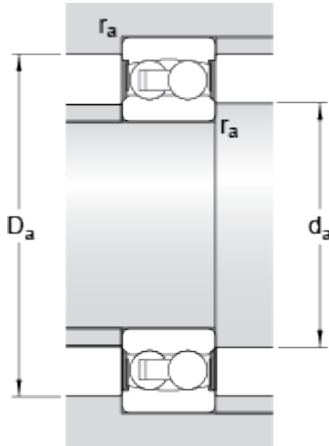
# 2306 E-2RS1TN9

## Dimensions



d		30	mm
D		72	mm
B		27	mm
d <sub>2</sub>	≈	40.4	mm
D <sub>2</sub>	≈	61.88	mm
r <sub>1,2</sub>	min.	1.1	mm

## Abutment dimensions



d <sub>a</sub>	min.	37	mm
d <sub>a</sub>	max.	40	mm
D <sub>a</sub>	max.	65	mm
r <sub>a</sub>	max.	1.1	mm

## Calculation data

Basic dynamic load rating	C	22.5	kN
Basic static load rating	C	6.8	kN
Fatigue load limit	P <sub>u</sub>	0.36	kN
Limiting speed		6700	r/min
Permissible angular misalignment	α	1.5	°
Calculation factor	k <sub>r</sub>	0.05	
Calculation factor	e	0.25	
Calculation factor	Y	2.5	
Calculation factor	Y <sub>1</sub>	2.5	
Calculation factor	Y <sub>2</sub>	3.9	

## Mass

Mass bearing	0.51	kg
--------------	------	----