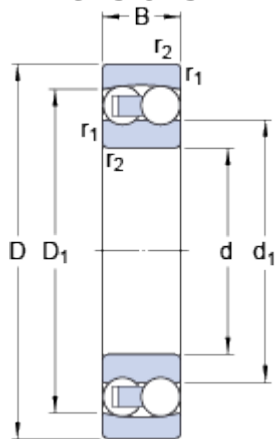


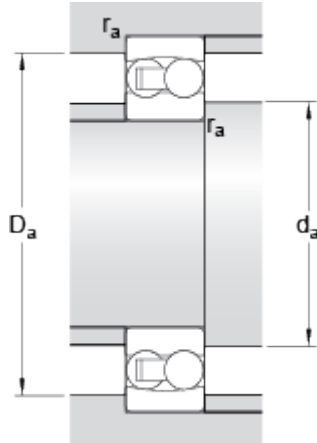
2305 ETN9

Dimensions



d		25	mm
D		62	mm
B		24	mm
d_1	≈	35.5	mm
D_1	≈	52.3	mm
$r_{1,2}$	min.	1.1	mm

Abutment dimensions



d_a	min.	32	mm
D_a	max.	55	mm
r_a	max.	1.1	mm

Calculation data

Basic dynamic load rating	C	27	kN
Basic static load rating	C	7.1	kN
Fatigue load limit	P_u	0.37	kN
Reference speed		22000	r/min
Limiting speed		16000	r/min
Permissible angular misalignment	α	3	°
Calculation factor	k_r	0.05	
Calculation factor	e	0.44	
Calculation factor	Y	1.4	
Calculation factor	Y_1	1.4	
Calculation factor	Y_2	2.2	

Mass

Mass bearing		0.34	kg
--------------	--	------	----

