

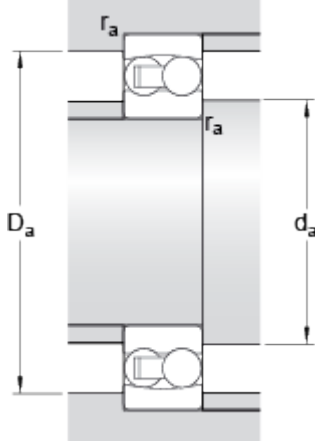
2304 TN9

Dimensions



d		20	mm
D		52	mm
B		21	mm
d_1	\approx	29.15	mm
D_1	\approx	41.9	mm
$r_{1,2}$	min.	1.1	mm

Abutment dimensions



d_a	min.	27	mm
D_a	max.	45	mm
r_a	max.	1.1	mm

Calculation data

Basic dynamic load rating	C	18.2	kN
Basic static load rating	C	4.75	kN
Fatigue load limit	P_u	0.24	kN
Reference speed		26000	r/min
Limiting speed		19000	r/min
Permissible angular misalignment	α	3	$^\circ$
Calculation factor	k_r	0.05	
Calculation factor	e	0.52	
Calculation factor	Y	1.3	
Calculation factor	Y_1	1.2	
Calculation factor	Y_2	1.9	

Mass

Mass bearing		0.22	kg
--------------	--	------	----

