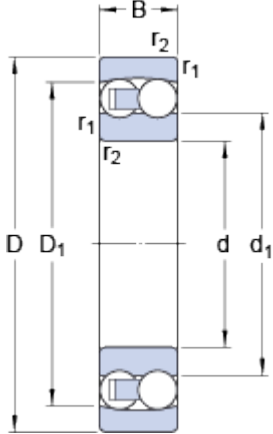


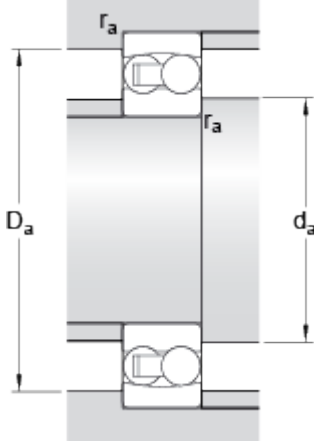
# 2303

## Dimensions



d		17	mm
D		47	mm
B		19	mm
d <sub>1</sub>	≈	26.15	mm
D <sub>1</sub>	≈	37.2	mm
r <sub>1,2</sub>	min.	1	mm

## Abutment dimensions



d <sub>a</sub>	min.	22.6	mm
D <sub>a</sub>	max.	41.4	mm
r <sub>a</sub>	max.	1	mm

## Calculation data

Basic dynamic load rating	C	14.3	kN
Basic static load rating	C	3.55	kN
Fatigue load limit	P <sub>u</sub>	0.19	kN
Reference speed		30000	r/min
Limiting speed		22000	r/min
Permissible angular misalignment	α	3	°
Calculation factor	k <sub>r</sub>	0.05	
Calculation factor	e	0.52	
Calculation factor	Y	1.3	
Calculation factor	Y <sub>1</sub>	1.2	
Calculation factor	Y <sub>2</sub>	1.9	

## Mass

Mass bearing		0.16	kg
--------------	--	------	----

