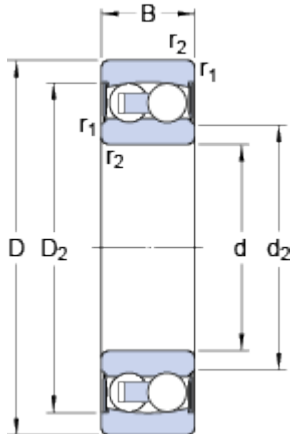


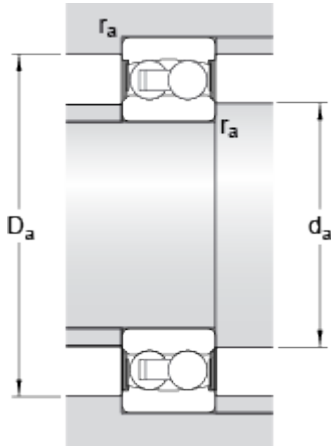
2302 E-2RS1TN9

Dimensions



d		15	mm
D		42	mm
B		17	mm
d ₂	≈	20.3	mm
D ₂	≈	36.23	mm
r _{1,2}	min.	1	mm

Abutment dimensions



d _a	min.	20	mm
d _a	max.	20	mm
D _a	max.	36.4	mm
r _a	max.	1	mm

Calculation data

Basic dynamic load rating	C	10.8	kN
Basic static load rating	C	2.6	kN
Fatigue load limit	P _u	0.14	kN
Limiting speed		12000	r/min
Permissible angular misalignment	α	1.5	°
Calculation factor	k _r	0.05	
Calculation factor	e	0.31	
Calculation factor	Y	2.2	
Calculation factor	Y ₁	2	
Calculation factor	Y ₂	3.1	

Mass

Mass bearing	0.11	kg
--------------	------	----