

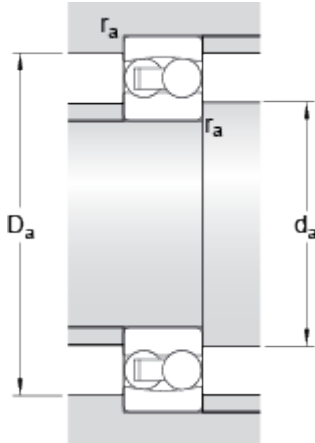
2302

Dimensions



d	15	mm
D	42	mm
B	17	mm
d ₁	≈ 23.17	mm
D ₁	≈ 33.3	mm
r _{1,2}	min. 1	mm

Abutment dimensions



d _a	min. 20.6	mm
D _a	max. 36.4	mm
r _a	max. 1	mm

Calculation data

Basic dynamic load rating	C	11.9	kN
Basic static load rating	C	2.9	kN
Fatigue load limit	P _u	0.15	kN
Reference speed		32000	r/min
Limiting speed		24000	r/min
Permissible angular misalignment	α	3	°
Calculation factor	k _r	0.05	
Calculation factor	e	0.52	
Calculation factor	Y	1.3	
Calculation factor	Y ₁	1.2	
Calculation factor	Y ₂	1.9	

Mass

Mass bearing	0.12	kg
--------------	------	----

