

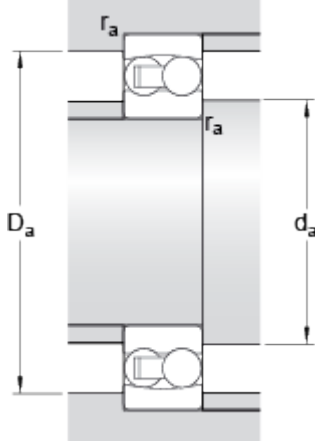
2301

Dimensions



d		12	mm
D		37	mm
B		17	mm
d ₁	≈	18.9	mm
D ₁	≈	29.1	mm
r _{1,2}	min.	1	mm

Abutment dimensions



d _a	min.	17.6	mm
D _a	max.	31.4	mm
r _a	max.	1	mm

Calculation data

Basic dynamic load rating	C	11.7	kN
Basic static load rating	C	2.7	kN
Fatigue load limit	P _u	0.14	kN
Reference speed		38000	r/min
Limiting speed		28000	r/min
Permissible angular misalignment	α	3	°
Calculation factor	k _r	0.05	
Calculation factor	e	0.6	
Calculation factor	Y	1.1	
Calculation factor	Y ₁	1.05	
Calculation factor	Y ₂	1.6	

Mass

Mass bearing	0.095	kg
--------------	-------	----

