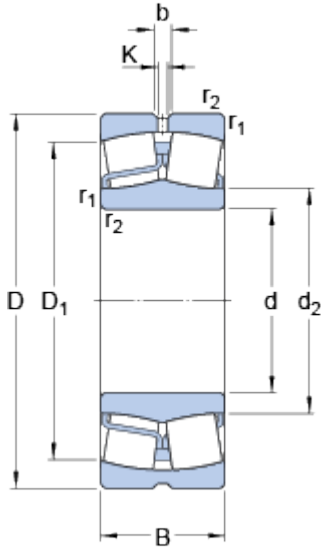


22320 E

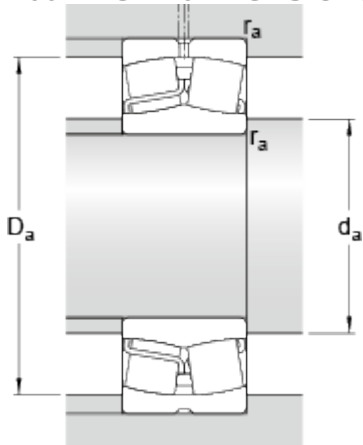
SKF Explorer

Dimensions



d		100	mm
D		215	mm
B		73	mm
d ₂	≈	130	mm
D ₁	≈	184	mm
b		11.1	mm
K		6	mm
r _{1,2}	min.	3	mm

Abutment dimensions



d _a	min.	114	mm
D _a	max.	201	mm
r _a	max.	2.5	mm

Calculation data

Basic dynamic load rating	C	847	kN
Basic static load rating	C	950	kN
Fatigue load limit	P _u	88	kN
Reference speed		2400	r/min
Limiting speed		3000	r/min
Calculation factor	e	0.33	
Calculation factor	Y ₁	2	
Calculation factor	Y ₂	3	
Calculation factor	Y	2	

Mass

Mass bearing		13.5	kg
--------------	--	------	----

