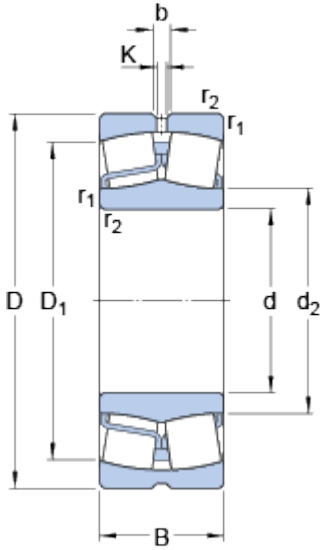


22314 E

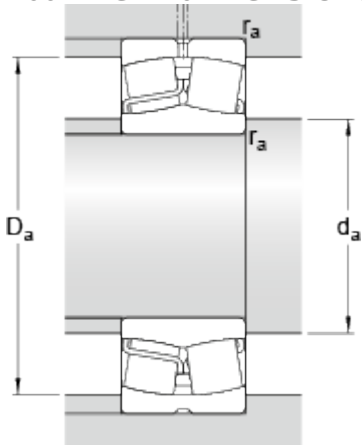
SKF Explorer

Dimensions



d		70	mm
D		150	mm
B		51	mm
d ₂	≈	90.3	mm
D ₁	≈	128	mm
b		8.3	mm
K		4.5	mm
r _{1,2}	min.	2.1	mm

Abutment dimensions



d _a	min.	82	mm
D _a	max.	138	mm
r _a	max.	2	mm

Calculation data

Basic dynamic load rating	C	413	kN
Basic static load rating	C	430	kN
Fatigue load limit	P _u	45	kN
Reference speed		3400	r/min
Limiting speed		4500	r/min
Calculation factor	e	0.33	
Calculation factor	Y ₁	2	
Calculation factor	Y ₂	3	
Calculation factor	Y	2	

Mass

Mass bearing		4.55	kg
--------------	--	------	----

