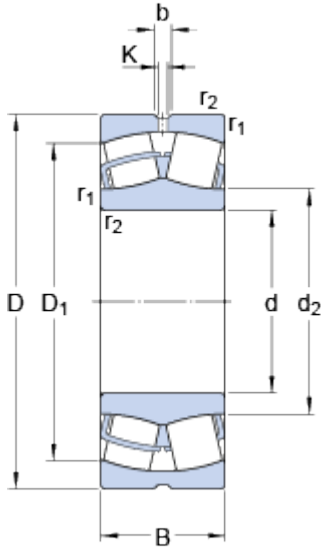


# 22313 E

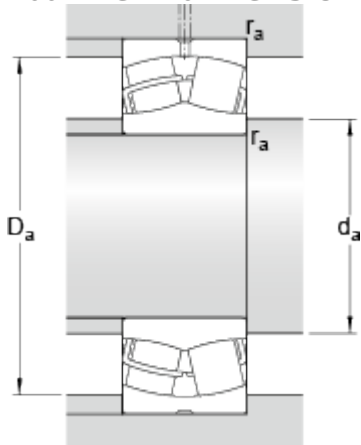
SKF Explorer

## Dimensions



d		65	mm
D		140	mm
B		48	mm
d <sub>2</sub>	≈	81.6	mm
D <sub>1</sub>	≈	118	mm
b		8.3	mm
K		4.5	mm
r <sub>1,2</sub>	min.	2.1	mm

## Abutment dimensions



d <sub>a</sub>	min.	77	mm
D <sub>a</sub>	max.	128	mm
r <sub>a</sub>	max.	2	mm

## Calculation data

Basic dynamic load rating	C	357	kN
Basic static load rating	C	360	kN
Fatigue load limit	P <sub>u</sub>	38	kN
Reference speed		3800	r/min
Limiting speed		5000	r/min
Calculation factor	e	0.35	
Calculation factor	Y <sub>1</sub>	1.9	
Calculation factor	Y <sub>2</sub>	2.9	
Calculation factor	Y	1.8	

## Mass

Mass bearing		3.75	kg
--------------	--	------	----

