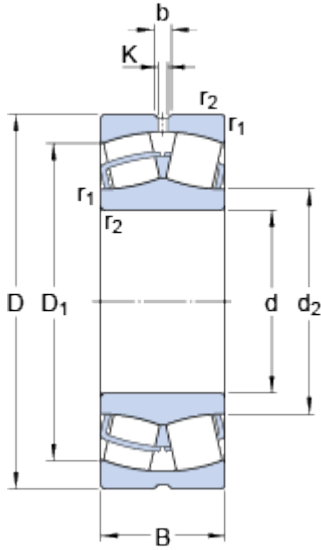


22312 E

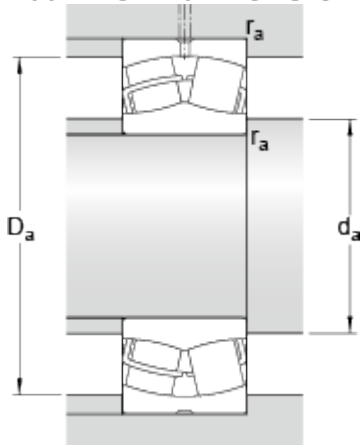
SKF Explorer

Dimensions



d	60	mm
D	130	mm
B	46	mm
d ₂	≈ 77.9	mm
D ₁	≈ 110	mm
b	8.3	mm
K	4.5	mm
r _{1,2}	min. 2.1	mm

Abutment dimensions



d _a	min.	72	mm
D _a	max.	118	mm
r _a	max.	2	mm

Calculation data

Basic dynamic load rating	C	325	kN
Basic static load rating	C	335	kN
Fatigue load limit	P _u	36	kN
Reference speed		4000	r/min
Limiting speed		5300	r/min
Calculation factor	e	0.35	
Calculation factor	Y ₁	1.9	
Calculation factor	Y ₂	2.9	
Calculation factor	Y	1.8	

Mass

Mass bearing		3.1	kg
--------------	--	-----	----

