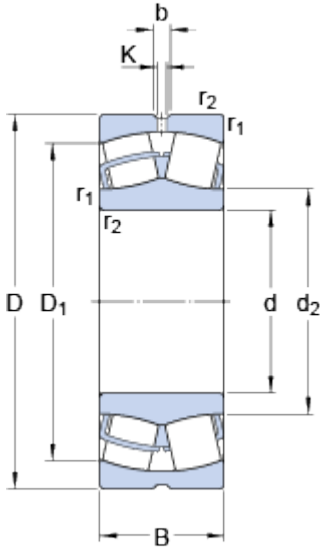


22311 E

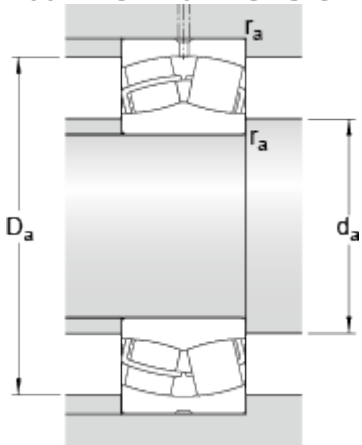
SKF Explorer

Dimensions



d		55	mm
D		120	mm
B		43	mm
d ₂	≈	70.1	mm
D ₁	≈	102	mm
b		5.5	mm
K		3	mm
r _{1,2}	min.	2	mm

Abutment dimensions



d _a	min.	66	mm
D _a	max.	109	mm
r _a	max.	2	mm

Calculation data

Basic dynamic load rating	C	280	kN
Basic static load rating	C	280	kN
Fatigue load limit	P _u	30	kN
Reference speed		4300	r/min
Limiting speed		5600	r/min
Calculation factor	e	0.35	
Calculation factor	Y ₁	1.9	
Calculation factor	Y ₂	2.9	
Calculation factor	Y	1.8	

Mass

Mass bearing		2.45	kg
--------------	--	------	----

