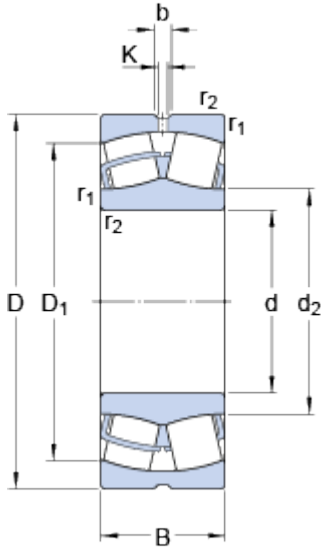


22310 E

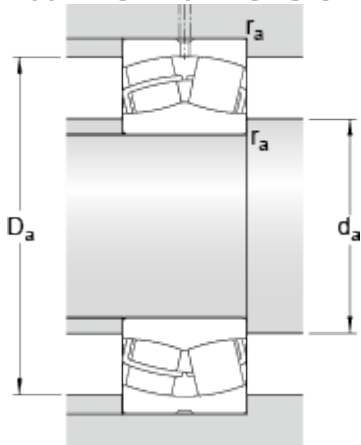
SKF Explorer

Dimensions



d		50	mm
D		110	mm
B		40	mm
d ₂	≈	63.9	mm
D ₁	≈	91.9	mm
b		6	mm
K		3	mm
r _{1,2}	min.	2	mm

Abutment dimensions



d _a	min.	61	mm
D _a	max.	99	mm
r _a	max.	2	mm

Calculation data

Basic dynamic load rating	C	228	kN
Basic static load rating	C	224	kN
Fatigue load limit	P _u	24	kN
Reference speed		4800	r/min
Limiting speed		6300	r/min
Calculation factor	e	0.37	
Calculation factor	Y ₁	1.8	
Calculation factor	Y ₂	2.7	
Calculation factor	Y	1.8	

Mass

Mass bearing		1.9	kg
--------------	--	-----	----

