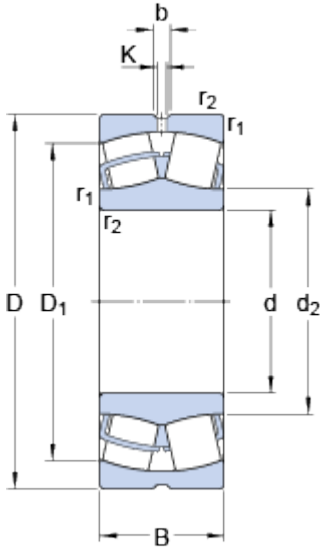


22309 E

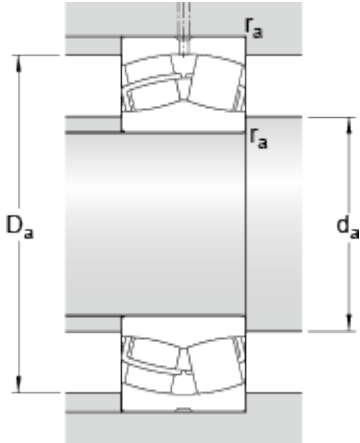
SKF Explorer

Dimensions



d		45	mm
D		100	mm
B		36	mm
d ₂	≈	57.6	mm
D ₁	≈	83.4	mm
b		6	mm
K		3	mm
r _{1,2}	min.	1.5	mm

Abutment dimensions



d _a	min.	54	mm
D _a	max.	91	mm
r _a	max.	1.5	mm

Calculation data

Basic dynamic load rating	C	190	kN
Basic static load rating	C	183	kN
Fatigue load limit	P _u	19.6	kN
Reference speed		5300	r/min
Limiting speed		7000	r/min
Calculation factor	e	0.37	
Calculation factor	Y ₁	1.8	
Calculation factor	Y ₂	2.7	
Calculation factor	Y	1.8	

Mass

Mass bearing		1.4	kg
--------------	--	-----	----

