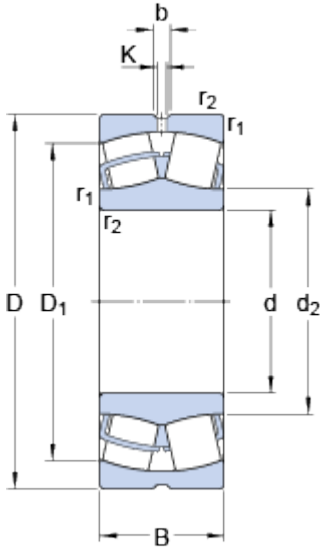


# 22308 E

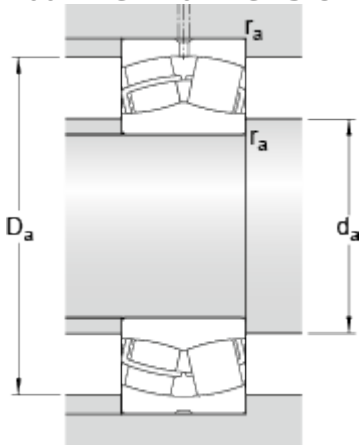
SKF Explorer

## Dimensions



d		40	mm
D		90	mm
B		33	mm
d <sub>2</sub>	≈	49.9	mm
D <sub>1</sub>	≈	74.3	mm
b		6	mm
K		3	mm
r <sub>1,2</sub>	min.	1.5	mm

## Abutment dimensions



d <sub>a</sub>	min.	49	mm
D <sub>a</sub>	max.	81	mm
r <sub>a</sub>	max.	1.5	mm

## Calculation data

Basic dynamic load rating	C	155	kN
Basic static load rating	C	140	kN
Fatigue load limit	P <sub>u</sub>	15	kN
Reference speed		6000	r/min
Limiting speed		8000	r/min
Calculation factor	e	0.37	
Calculation factor	Y <sub>1</sub>	1.8	
Calculation factor	Y <sub>2</sub>	2.7	
Calculation factor	Y	1.8	

## Mass

Mass bearing		1.05	kg
--------------	--	------	----

