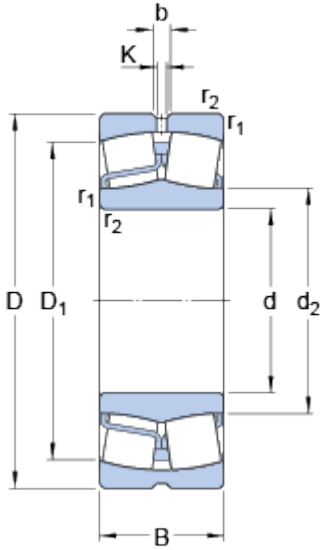


22220 E

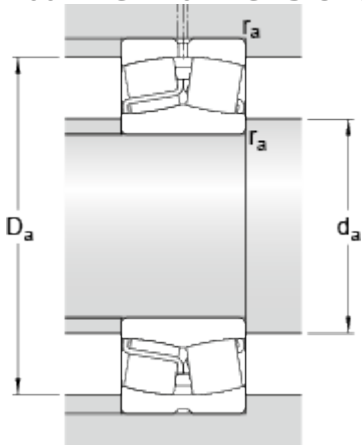
SKF Explorer

Dimensions



d		100	mm
D		180	mm
B		46	mm
d ₂	≈	118	mm
D ₁	≈	159	mm
b		8.3	mm
K		4.5	mm
r _{1,2}	min.	2.1	mm

Abutment dimensions



d _a	min.	112	mm
D _a	max.	168	mm
r _a	max.	2	mm

Calculation data

Basic dynamic load rating	C	433	kN
Basic static load rating	C	490	kN
Fatigue load limit	P _u	49	kN
Reference speed		3400	r/min
Limiting speed		4500	r/min
Calculation factor	e	0.24	
Calculation factor	Y ₁	2.8	
Calculation factor	Y ₂	4.2	
Calculation factor	Y	2.8	

Mass

Mass bearing		4.9	kg
--------------	--	-----	----

