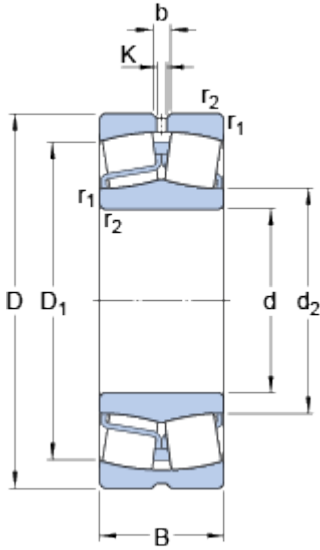


22219 E

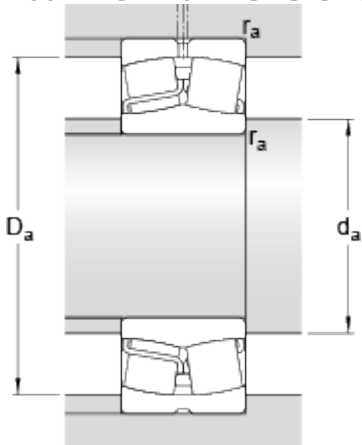
SKF Explorer

Dimensions



d		95	mm
D		170	mm
B		43	mm
d ₂	≈	112	mm
D ₁	≈	150	mm
b		8.3	mm
K		4.5	mm
r _{1,2}	min.	2.1	mm

Abutment dimensions



d _a	min.	107	mm
D _a	max.	158	mm
r _a	max.	2	mm

Calculation data

Basic dynamic load rating	C	393	kN
Basic static load rating	C	450	kN
Fatigue load limit	P _u	45.5	kN
Reference speed		3600	r/min
Limiting speed		4800	r/min
Calculation factor	e	0.24	
Calculation factor	Y ₁	2.8	
Calculation factor	Y ₂	4.2	
Calculation factor	Y	2.8	

Mass

Mass bearing		4.15	kg
--------------	--	------	----

