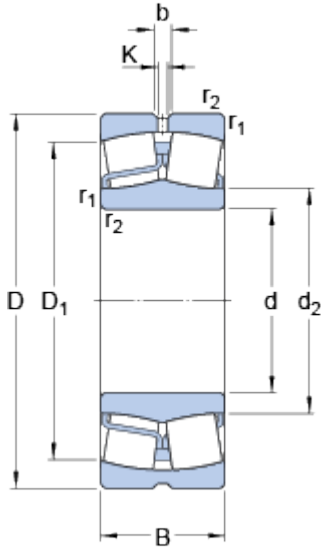


22218 E

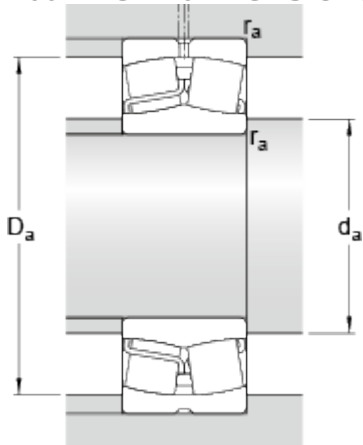
SKF Explorer

Dimensions



d	90	mm
D	160	mm
B	40	mm
d ₂	≈ 106	mm
D ₁	≈ 141	mm
b	6	mm
K	3	mm
r _{1,2}	min. 2	mm

Abutment dimensions



d _a	min.	101	mm
D _a	max.	149	mm
r _a	max.	2	mm

Calculation data

Basic dynamic load rating	C	331	kN
Basic static load rating	C	375	kN
Fatigue load limit	P _u	39	kN
Reference speed		3800	r/min
Limiting speed		5300	r/min
Calculation factor	e	0.24	
Calculation factor	Y ₁	2.8	
Calculation factor	Y ₂	4.2	
Calculation factor	Y	2.8	

Mass

Mass bearing		3.4	kg
--------------	--	-----	----

