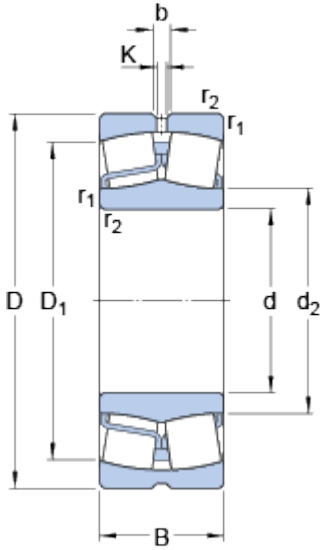


22215 E

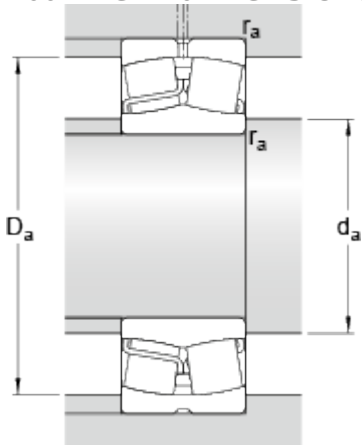
SKF Explorer

Dimensions



d		75	mm
D		130	mm
B		31	mm
d ₂	≈	87.8	mm
D ₁	≈	115	mm
b		6	mm
K		3	mm
r _{1,2}	min.	1.5	mm

Abutment dimensions



d _a	min.	84	mm
D _a	max.	121	mm
r _a	max.	1.5	mm

Calculation data

Basic dynamic load rating	C	217	kN
Basic static load rating	C	240	kN
Fatigue load limit	P _u	26.5	kN
Reference speed		4800	r/min
Limiting speed		6300	r/min
Calculation factor	e	0.22	
Calculation factor	Y ₁	3	
Calculation factor	Y ₂	4.6	
Calculation factor	Y	2.8	

Mass

Mass bearing		1.7	kg
--------------	--	-----	----

