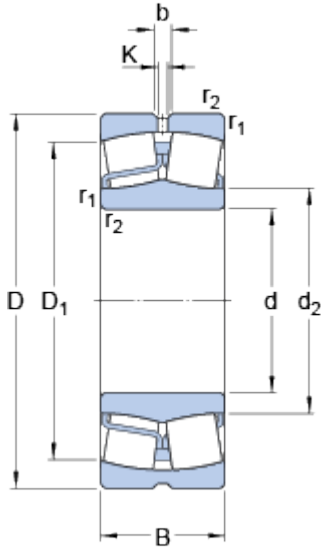


22214 E

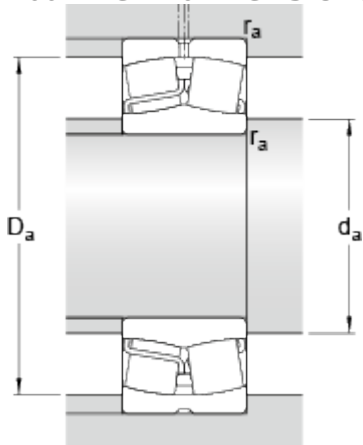
SKF Explorer

Dimensions



d		70	mm
D		125	mm
B		31	mm
d ₂	≈	83	mm
D ₁	≈	111	mm
b		6	mm
K		3	mm
r _{1,2}	min.	1.5	mm

Abutment dimensions



d _a	min.	79	mm
D _a	max.	116	mm
r _a	max.	1.5	mm

Calculation data

Basic dynamic load rating	C	213	kN
Basic static load rating	C	228	kN
Fatigue load limit	P _u	25.5	kN
Reference speed		5000	r/min
Limiting speed		6700	r/min
Calculation factor	e	0.23	
Calculation factor	Y ₁	2.9	
Calculation factor	Y ₂	4.4	
Calculation factor	Y	2.8	

Mass

Mass bearing		1.55	kg
--------------	--	------	----

