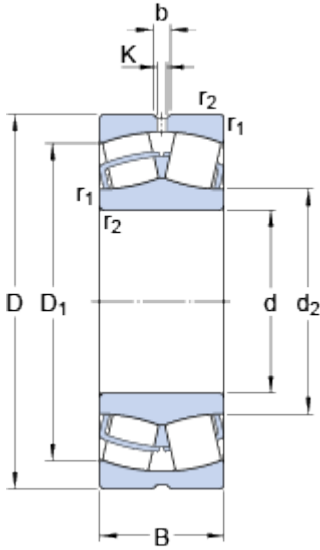


# 22213 E

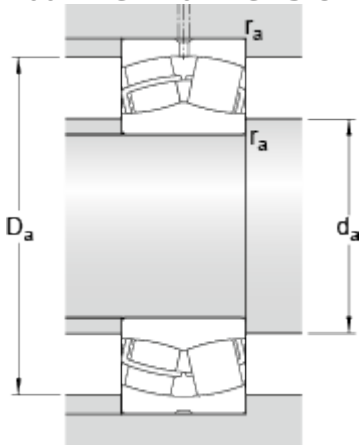
SKF Explorer

## Dimensions



|                  |      |      |    |
|------------------|------|------|----|
| d                |      | 65   | mm |
| D                |      | 120  | mm |
| B                |      | 31   | mm |
| d <sub>2</sub>   | ≈    | 80.1 | mm |
| D <sub>1</sub>   | ≈    | 106  | mm |
| b                |      | 6    | mm |
| K                |      | 3    | mm |
| r <sub>1,2</sub> | min. | 1.5  | mm |

## Abutment dimensions



|                |      |     |    |
|----------------|------|-----|----|
| d <sub>a</sub> | min. | 74  | mm |
| D <sub>a</sub> | max. | 111 | mm |
| r <sub>a</sub> | max. | 1.5 | mm |

## Calculation data

|                           |                |      |       |
|---------------------------|----------------|------|-------|
| Basic dynamic load rating | C              | 198  | kN    |
| Basic static load rating  | C              | 216  | kN    |
| Fatigue load limit        | P <sub>u</sub> | 24   | kN    |
| Reference speed           |                | 5000 | r/min |
| Limiting speed            |                | 7000 | r/min |
| Calculation factor        | e              | 0.24 |       |
| Calculation factor        | Y <sub>1</sub> | 2.8  |       |
| Calculation factor        | Y <sub>2</sub> | 4.2  |       |
| Calculation factor        | Y              | 2.8  |       |

## Mass

|              |  |      |    |
|--------------|--|------|----|
| Mass bearing |  | 1.55 | kg |
|--------------|--|------|----|

